

ABENE VHF-380TI



Note ! The machine in the picture is equipped with options



Without CE-Table guarding

ABENE VHF-380 TI

Vertical/Horizontal Milling Machine
Unique design for optimal flexibility.

- Simple manual machining
- Combined manual/CNC with easy pre-programmed cycles.
- Full CNC machining 3-axis

All in one....

ABENE VHF-380 TI



Heidenhain TNC-620
Electronic handwheel HR410
Connections: RS232, RJ45
2 pcs USB ports

Standard equipment



- Hardened and ground guideways in all axes
- Heidenhain optical scales in 3 axes
- High precision ballscrews in X Y Z
- High torque spindle motor 7,5 kW
- Stepless feed rate manual & CNC
- Mechanical & electrical handwheel
- Open-door Manual machining
- ABENE pre-programmed Easy-Cycles
- Complete coolant system
- CE-guarding, table-mounted
- Machine lamp 24V Halogen
- Automatic central lubrication system
- Keys and manuals
- Spare parts book and Accuracy report
- 2-step automatic gearbox, digitally controlled spindle speeds
- Control Heidenhain TNC-620

OPTIONS



PD-100
Air Power
Drawbar

TCS-300
Hydraulic

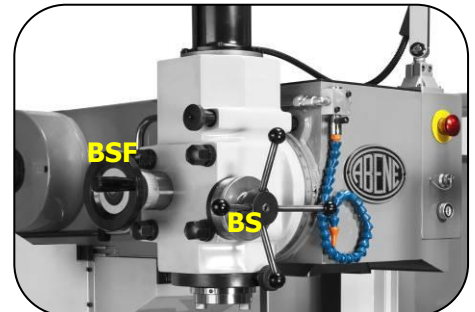
TOOL CLAMPING
PD-100 : Air Power Drawbar
TCS-300: Hydraulic clamping
universal with pull studs for:
DIN 2080/69871 & BT40.



TS-220

TT-140

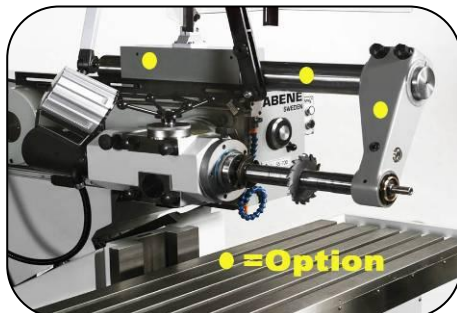
MEASURING DEVICES
TS-220: Touchprobe for workpiece
measurements.
TT-140: Probe for tool measuring.



BSF

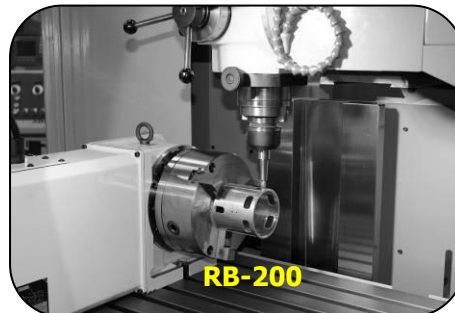
BS

SPINDLE HEAD TYPES
BS: Boring spindle, pinole
movement 75 mm.
BSF: Extra handwheel for fine
executions, 1 turn / 3 mm.



● = Option

HORIZONTAL MACHINING
Arbor Support: to support
horizontal machining with
long arbors.



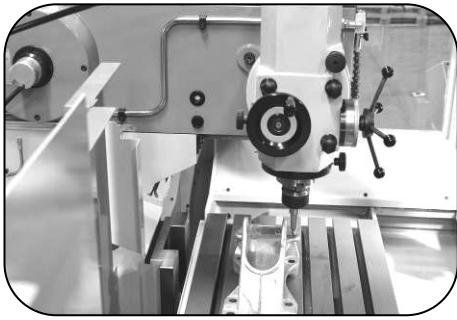
RB-200

ADDITIONAL MACHINING AXIS
RB-200: Full axis CNC rotary table,
to be used as A, B or C axis.
Tailstock, and chuck.

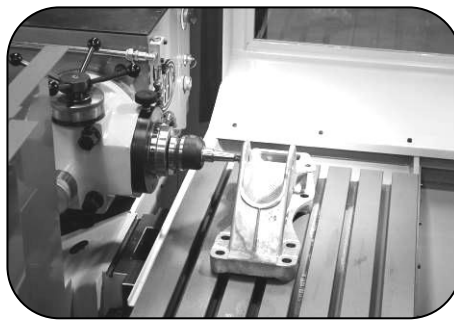


OTHER EXTRAS
Pads: Adjustable M16, 120
mm/diam.
Machine vices: Different
sizes, to be advised.

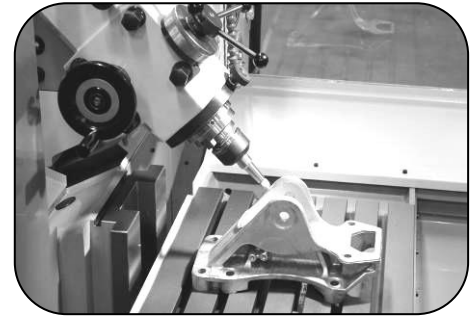
MILLING PERFORMANCE



VERTICAL POSITION (FIXED)
 Spindle head locked with a precision index-pin, and head stock/overarm in upper position.
 Spindle-table surface: 45-520 mm



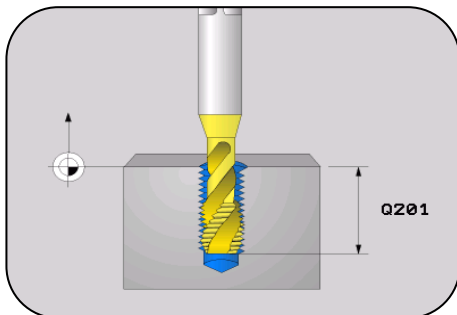
HORIZONTAL POSITION (FIXED)
 Spindle head locked with a precision index-pin, and head stock/overarm in lower position.
 Spindle-table surface: 85-560 mm



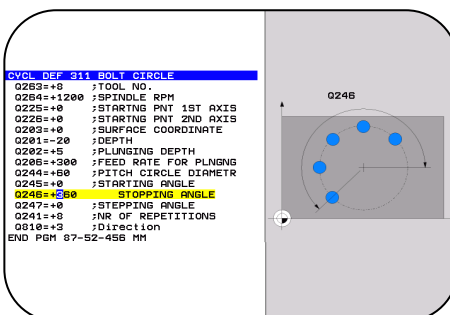
ANY POSITION (STEPLLESS)
 The spindle head is possible to lock in any position inside 140° and mill/drill in any angle.

The machine is built according to the unique ABENE "angular frame plane" design concept, which has the spindle head sideways mounted. This radical (World Exclusive) feature allows rapid and precisely uniform changing from Vertical to Horizontal mode. The ergonomically positioned handles, along with the benefits of Heidenhain control **TNC-620**, allows the **ABENE VHF-380 TI** to let you decide how to best turn your idea into a presentable product with maximum economy and efficiency.

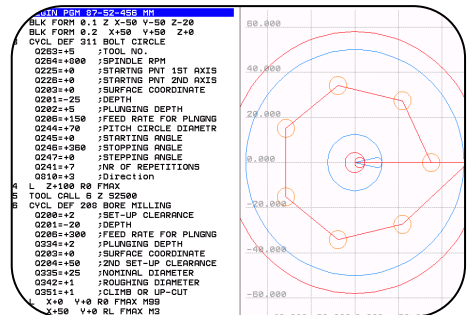
SOFTWARE PERFORMANCE



ABENE Cycles
 Easy to use all-in-one cycles for most operations, developed in cooperation with Heidenhain.



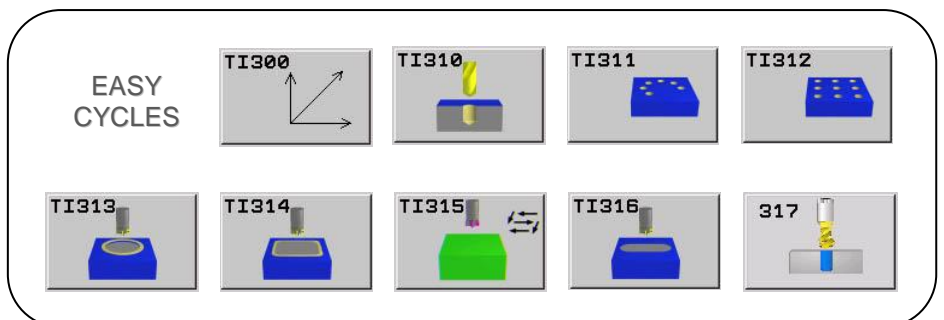
All-in-one
 With ABENE Cycles, where you choose what to do, which tool to use and where to do it. The machine does the rest.



Flexibility
 Combine ABENE Cycles freely with conventional Heidenhain programming and cycles or just use one cycle alone as a complete program.

Available ABENE Cycles

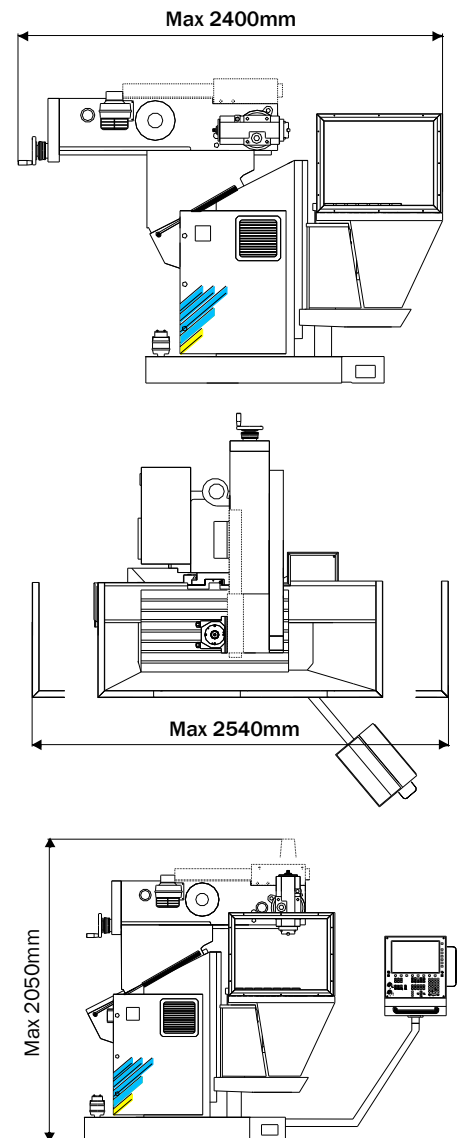
- Pre positioning
- Drilling
- Drilling – Circular pattern
- Drilling – Linear pattern
- Circular pocket
- Rectangular pocket
- Face milling
- Slot milling
- Tapping



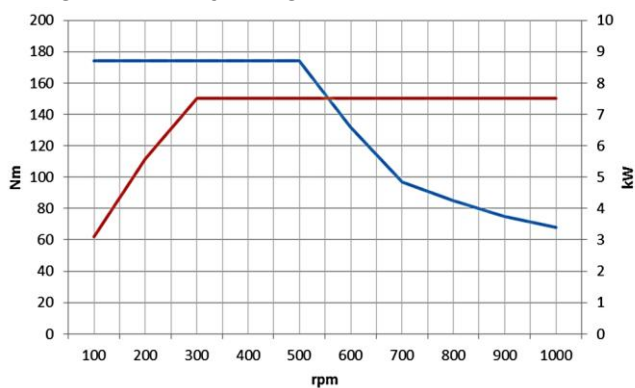
TECHNICAL INFO

TECHNICAL DATA	VHF-380 TI	VHF-380 TI/BS	UNIT
TABLE			
Table surface	900 x 500	900 x 500	mm
T-slot	7 x 14 H7	7 x 14 H7	mm
Max Load	400	400	Kg
MOVEMENT			
Longitudinal	800	800	mm
Cross	500	500	mm
Vertical	475	475	mm
Feeds n:o	Stepless	Stepless	
Rapid feed X,Y	4000	4000	mm/min
Rapid feed Z	1500	1500	mm/min
Feed.motor AC (Z)	4,2 (13)	4,2 (13)	Nm
ACCURACY			
Positioning	+/- 0,001	+/- 0,001	mm
Repeability	+/- 0,005	+/- 0,005	mm
SPINDLE			
Spindle speed	55-4000	55-4000	rpm
Spindle	ISO40 / DIN2080	ISO40 / DIN2080	
Spindle speeds n:o	Automatic	Automatic	2 Steps
Spindle Power	7,5	7,5	kW
Spindle head swivel	0-140	0-140	degrees
Spindle quill	-	75	mm
Hand wheel	-	3 (option)	mm/rev.
INSTALLATION DATA			
Power requirement	25/20	25/20	A/kVA
Air (if tool clamping)	6	6	Bar
Dimensions LxWxH	2200x1800x2000	2200x1800x2000	mm
Gross weight	2400	2400	kg
Net weight	2200	2200	kg

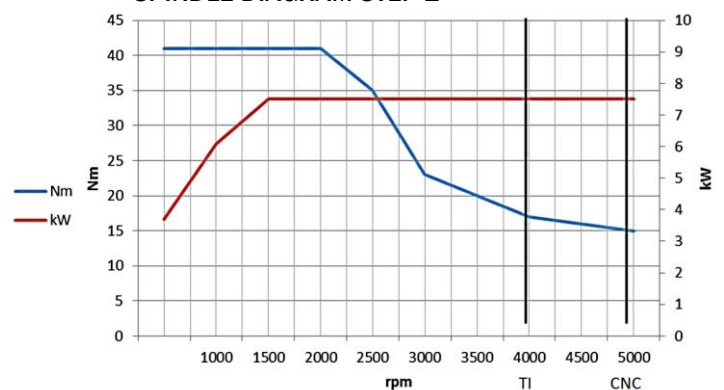
GENERAL DIMENSIONS



SPINDLE DIAGRAM STEP 1



SPINDLE DIAGRAM STEP 2



ABENE Machine AB

Box 147, 615 23 Valdemarsvik, Sweden

Tel: +46 123 51175

Fax: +46 123 51567

E-mail: sales@abene.se

www.abene.se